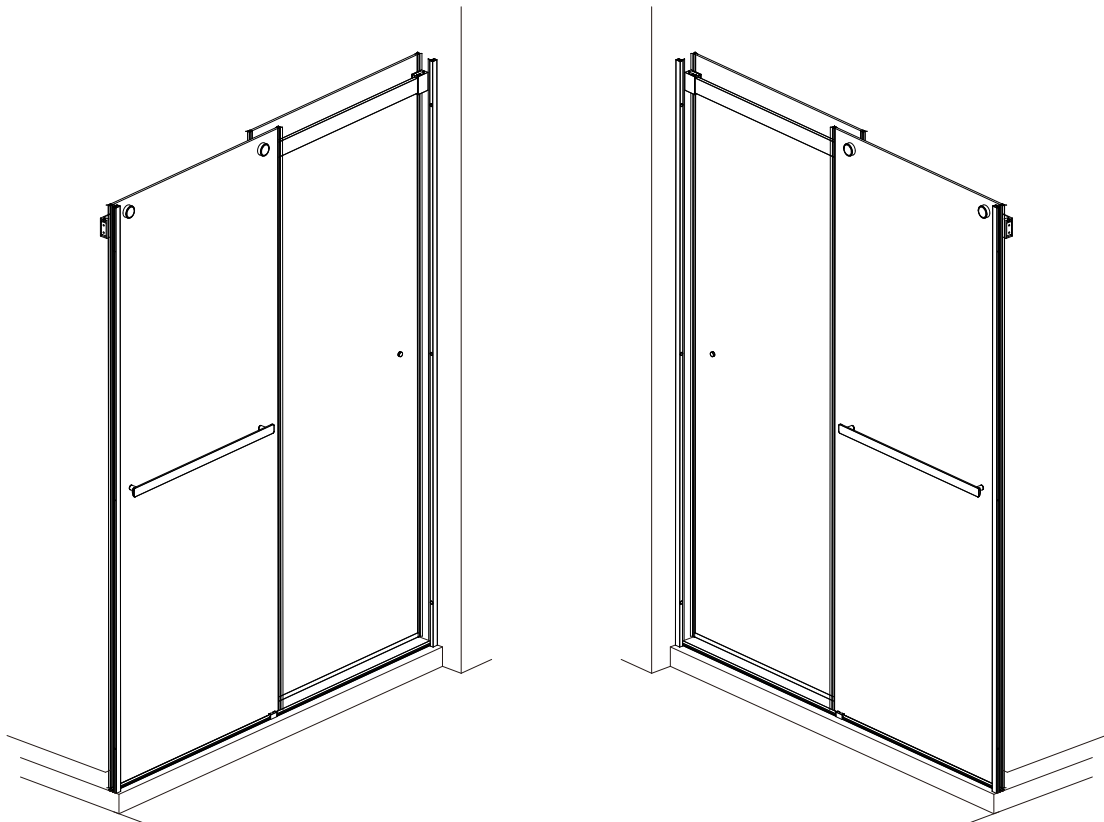


ANZZI®

Item: SD-FRLS05801**
SD-FRLS05802**

ANZZI GLASS SHOWER DOOR
INSTALL & OPERATION MANUAL
V2.1



DON'T WAIT! REGISTER NOW!

Register your product within 90 days to ensure your product is recognized as an official purchase and is eligible for warranty coverage.

Mail in the completed registry card (Pg. 2) or register online at www.swcorp.com/register.



PRODUCT REGISTRATION*

IMPORTANT: YOUR WARRANTY WILL NOT BE RECOGNIZED UNLESS THIS CARD IS FULLY COMPLETED AND RETURNED OR ONLINE REGISTRATION IS COMPLETED.

To ensure that your warranty is registered and confirmed please do one of the following:

- 1. Register online at www.swcorp.com/register.** You will be asked to fill out the same information you would in the registration card. Registering online is fast, secure and ensures we receive your information.
- 2. Complete, cut-out and mail the registration card below.** By returning this registration card we confirm the date of purchase for your new product. This confirmation will allow us to process any warranty claims.

Mail the card to: 5701 NW 35 Avenue, Miami, FL 33142



Product Registration Card

Name..... Address

City..... State..... Zip.....

Phone Email.....

Date of Purchase

Installer's Name Phone

I have read the Owner's Manual carefully and understand and agree that any installation, operation or maintenance of the product must be done strictly in accordance with instructions and guidelines contained in the owner's manual and installation guide.

Signature..... Date.....

Need help? For technical support call 305-614-4070 or visit us at www.ANZZI.com

INSTALLATION GUIDE

BEFORE YOU BEGIN

- Please check the product for transit damage, missing parts immediately. Damage reported later cannot be accepted. Please handle the product with care. Avoiding any impact on all sides and edges of the glass.
- Consult your local plumbing codes prior to installation.
- To reduce the risk of breakage, keep corner protectors on glass while installing.
- If this unit is going to be installed in a new construction, please install all of the required plumbing and drainage before installing the shower. Use a competent and licensed (if required by local code) plumber for all plumbing installation.
- Please make sure that prior to beginning the installation, the surfaces are leveled and solid and will be able to support the total weight of the unit. Also make sure the walls are at right angles. Irregular installation surface level, radius corners or improper angle of side walls will result in serious problems for your installation. Please note that some adjustments and drilling might be necessary during the installation process.
- Please protect all primary surfaces of the product during installation. Never set your glass down directly onto a tile floor. Leave corner protectors in place until necessary to remove them. Always use a piece of wood or cardboard to protect the bottom edge and corners of the glass prior to and during installation.



WARNING

- This unit must be installed upon a finished threshold and against finished walls.
- Special care should be taken to avoid hidden pipes or electrical cables when drilling holes on walls .
- This product is heavy and may require two people to install.
- When cutting or drilling metal components or when handling glass, to reduce the risk of personal injury, protective eye wear, gloves, and closed-toe shoes are required.
- Failure to install this product according to installation instructions may result in personal injury, property damage, or product failure, and may void the warranty.

INSTALLATION GUIDE

BEFORE YOU BEGIN



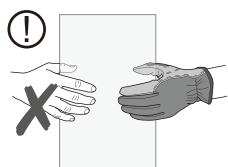
ATTENTION

- Threshold must be level for proper installation.
- The installation of this unit requires that you drill down into the threshold. Contact the manufacturer of the base, or threshold material with any questions regarding the drilling of holes into their product.
- This model requires a minimum 2-3/4"(70mm) of flat level threshold space for installation. 4-1/8"(105mm) of flat level threshold space is better.

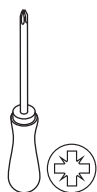
Tools Required



- This product is heavy and may require two people to install.



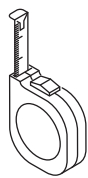
- Use cut-resistant, non-slip gloves to reduce the risk of personal injury and hold the glass firmly.



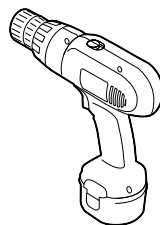
Philips
Screwdriver



Level



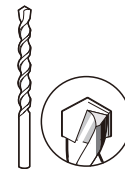
Tape
measure



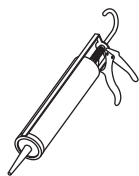
Drill



Ø1/8"
(3mm)
Drill bit



Ø1/4"
(6mm)
Drill bit



100%
Silicone
Sealant



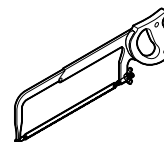
Pencil



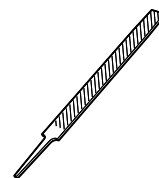
Pubber
mallet



Safety
Glass



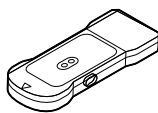
Hack
saw



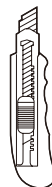
Metal file



Tin snips



Stud finder



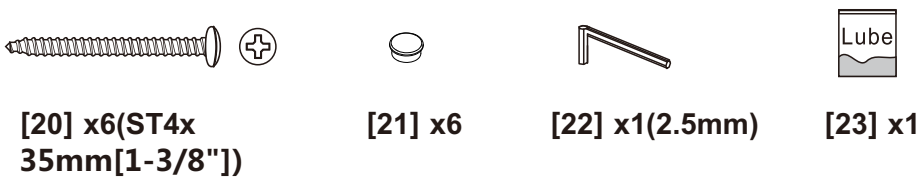
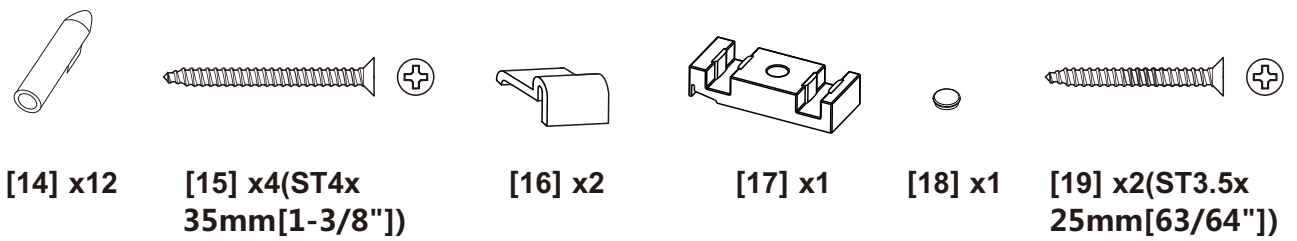
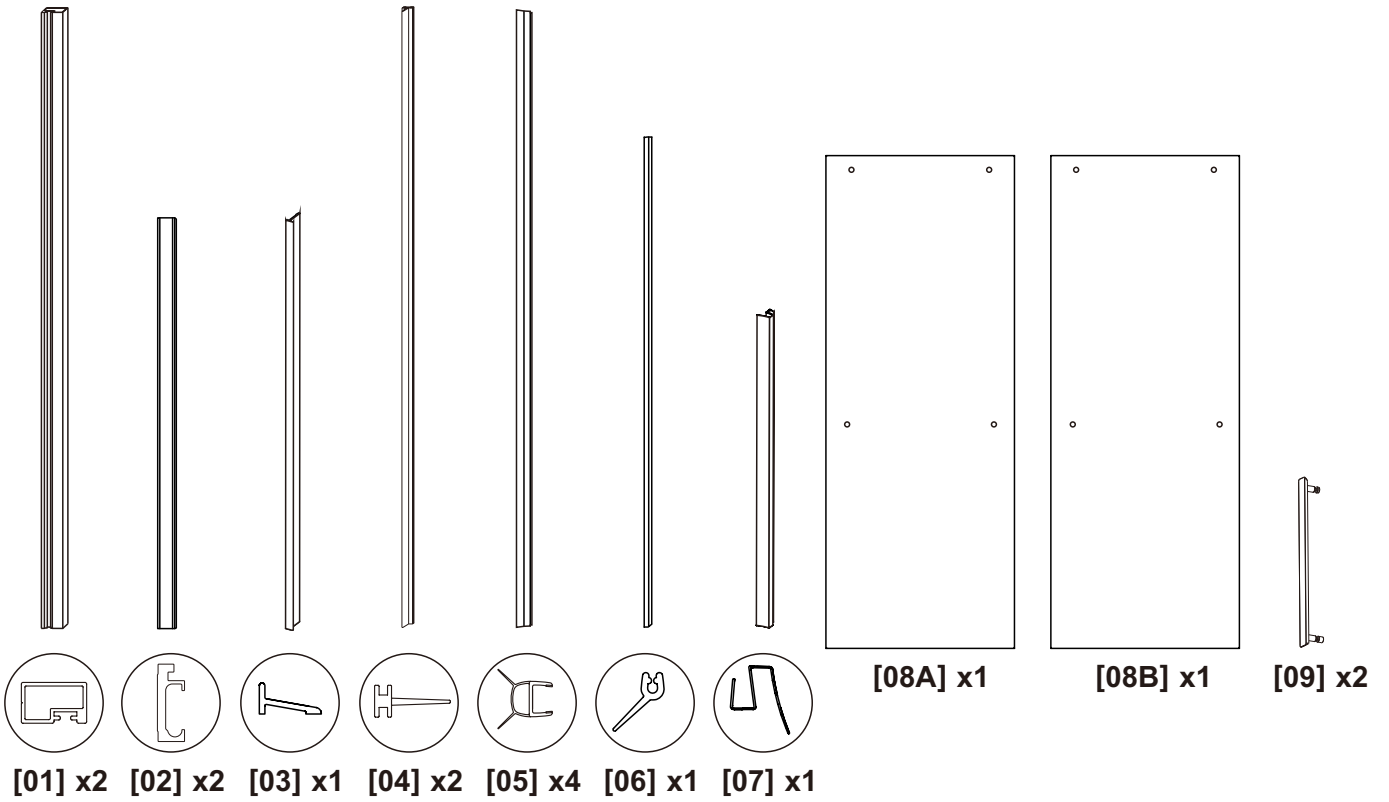
Knife



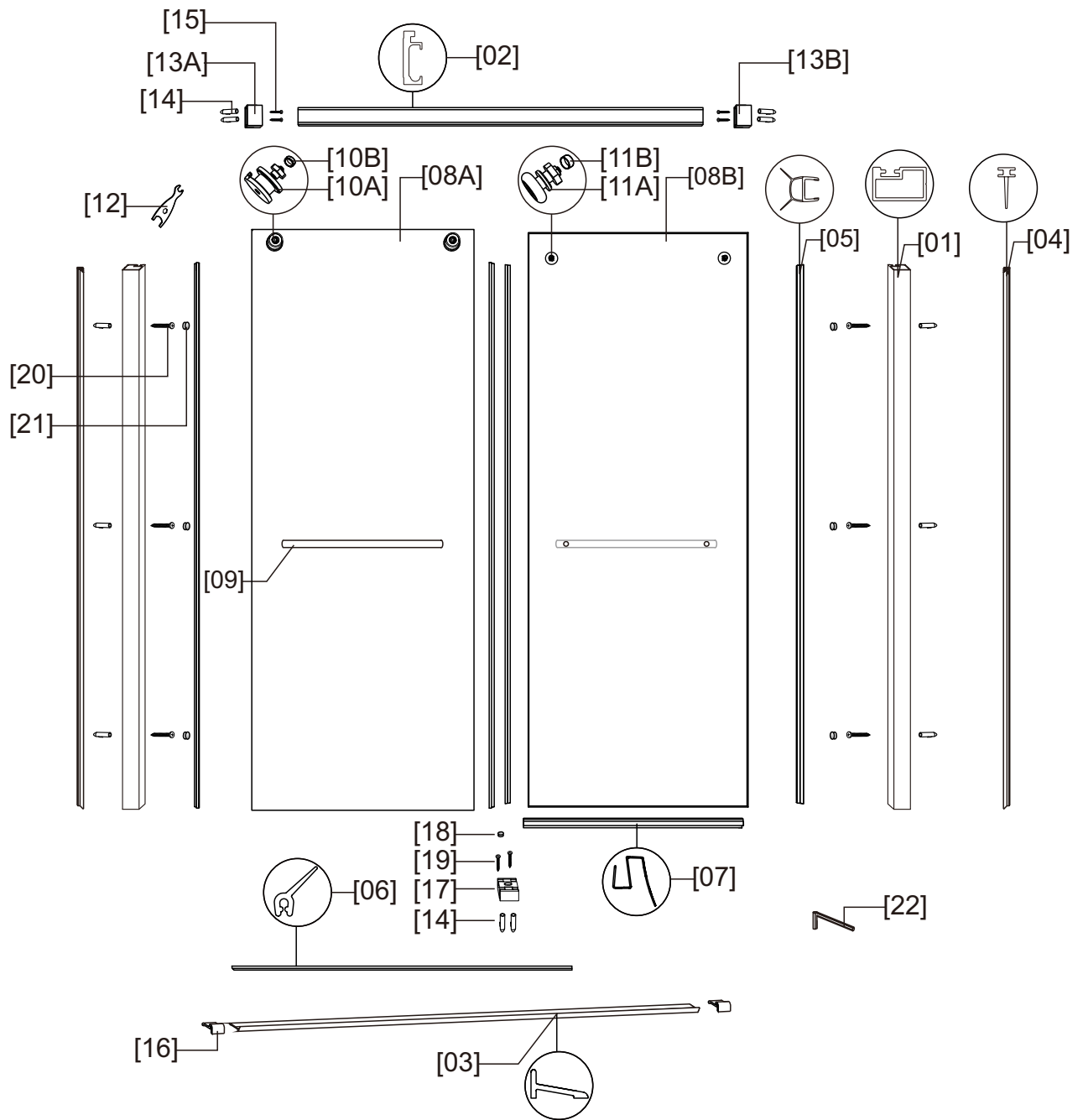
This product is heavy and may require two people to install.



PARTS

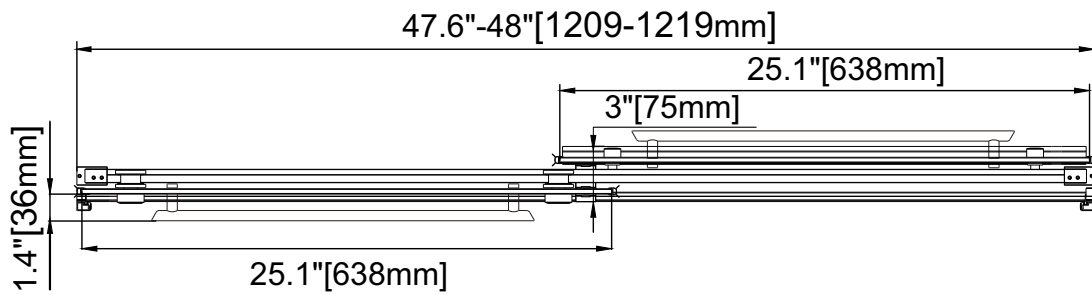
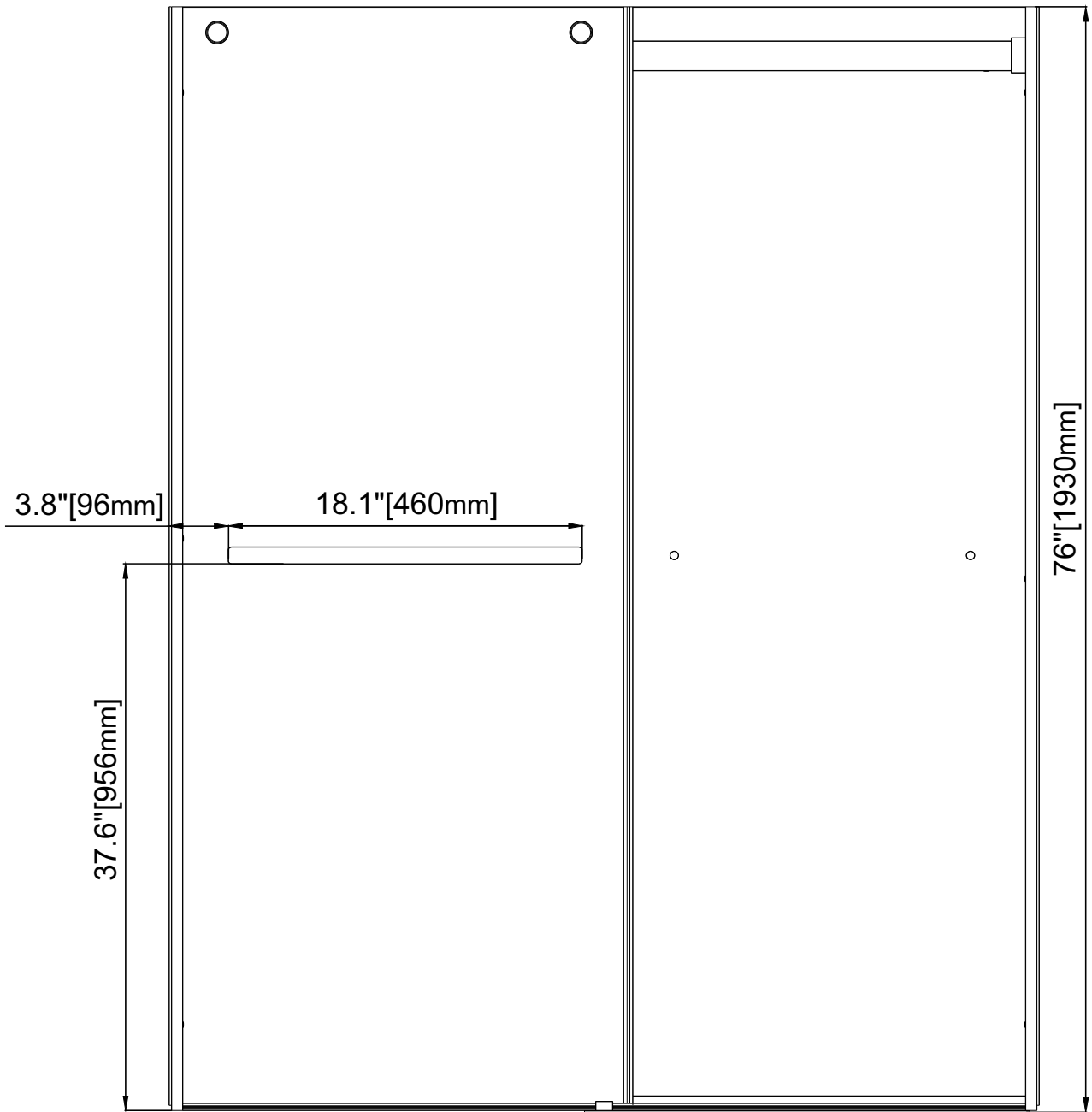


ASSEMBLY

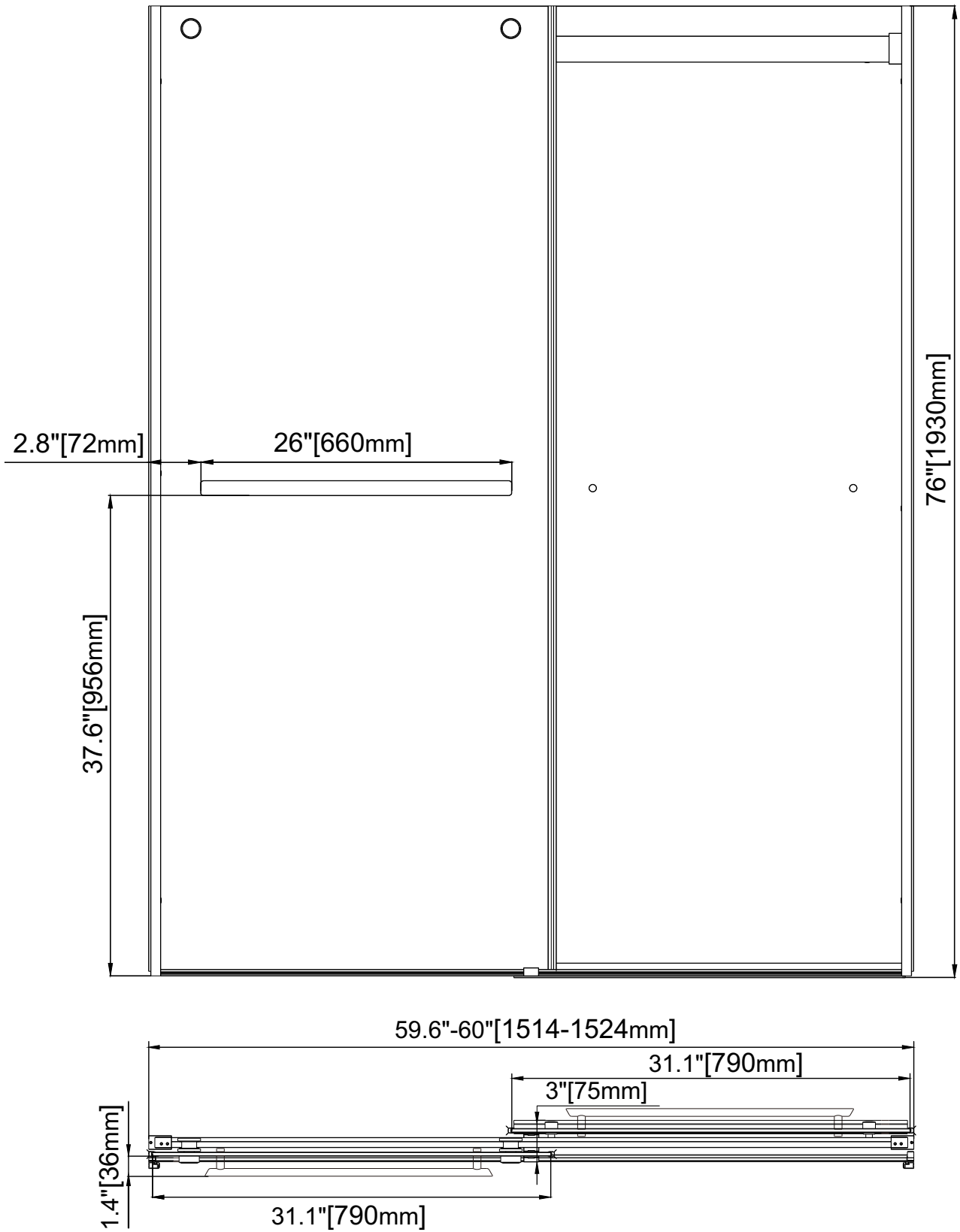


Part	Discription	Qty.	Part	Discription	Qty.
[01]	Wall Jamb	2	[12]	Wrench	2
[02]	Support Bar	2	[13]	Wall Bracket (L&R)	2
[03]	Bottom Rail	1	[14]	Wall Plug	12
[04]	Gasket	2	[15]	FH Screw ST4x35mm[1-3/8"]	4
[05]	Side Gasket	4	[16]	Seal	2
[06]	Threshold Gasket	1	[17]	Bottom Guide	1
[07]	Sealing Strip	1	[18]	Bottom Guide Cap	1
[08]	Door panel	2	[19]	Screw ST3.5x25mm[63/64"]	2
[09]	Handle set	2	[20]	Screw ST4x35mm[1-3/8"]	6
[10]	Outer Wheels	2	[21]	Cap	6
[11]	Inner Wheels	2	[22]	Allen Key	1

SD-FRLS05801** 48"*76"



SD-FRLS05802** 60"*76"





ATTENTION

- To avoid personal injury or property damage, identify components and read all instructions before installing.
- This model requires a minimum 2-3/4" (70mm) of flat level threshold space for installation. 4-1/8" (105mm) of flat level threshold space is better. (Dimension "D" of Fig 2.)

INSTALLATION INSTRUCTIONS

Step 1

- This shower door must be installed into a stud. Minimum threshold space is required. **IMPORTANT:** Using a stud finder, ensure that the wall on both side of the enclosure has a stud in the location shown. A stud in this location must be identified to support the support bar in order to proceed with the installation. If you do not have a stud in this area shown, find a qualified person for advise. (Fig 2)

1. Make sure the screw of the **Wall Bracket Assembly [13A]** is tightened (Fig 1.1). Take off the cover (Fig 1.2).

2. Using a pencil and stud finder to mark the outer side and the bottom of **Wall Bracket Assembly [13A]** so that it can be fixed on the stud. Choose one side to mark the lines, takes the left side for example.

3. Measure up in 71-1/2" (1816mm) from the ground to the bottom corner of the **Wall Bracket Assembly [13A]** and draw a horizontal line. Measure in 1-1/2" (38mm) min from the outside of the **Wall** to the profile of the **Wall Bracket Assembly [13A]** and draw a vertical line. Or measure in 1-1/2" + (A") if you want to install the shower door behind the outside of the wall (Fig 2, Fig 3).

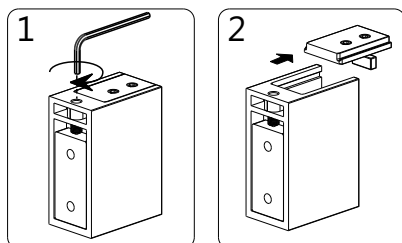


Fig1

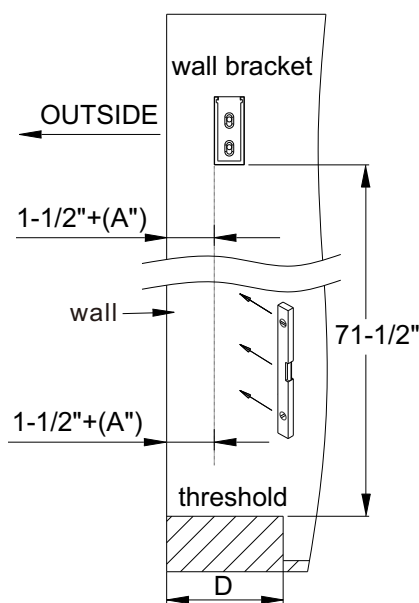


Fig2

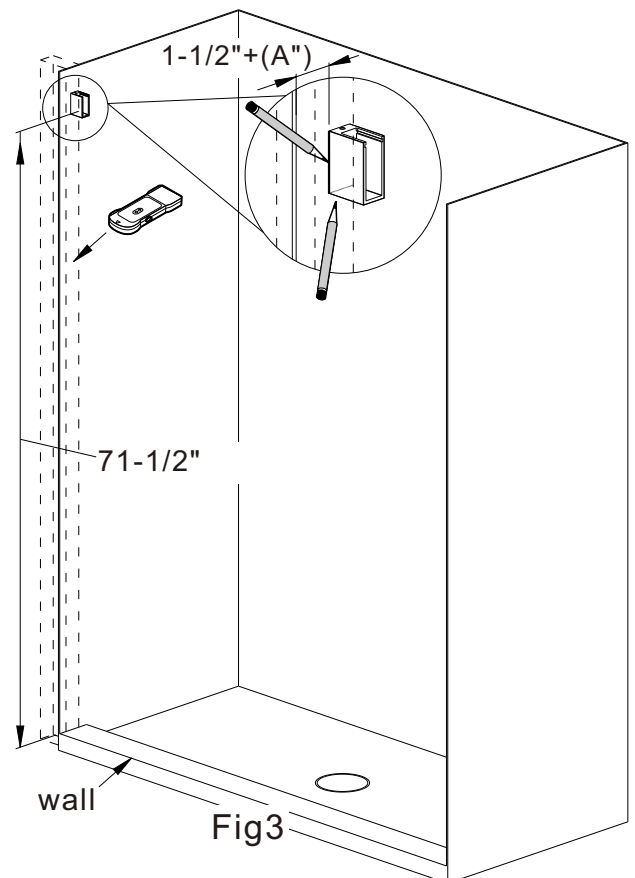


Fig3

Step 2

1. Measure the finished opening width at the bottom ("W2") and at the model height ("W1").

IMPORTANT: No need for cutting if the Support Bar[02] and the Bottom Rail [03] match the width. If they don't, please see Step 2.2 for cutting instructions.

2. Using a pencil or another marking tool (such as masking tape), mark distance "**W1, subtract 1-1/8" (28.5mm)**" on the **Support Bar[02]** (to leave some space for the **Wall Bracket**),

"**W2, subtract 1/16" (2mm)**" on the **Bottom Rail [03]** (just in case the end of the rail can't match the corner of the wall so well).

IMPORTANT: Double check the measurements before cutting. Cut the **Support Bar[02]** and the **Bottom Rail[03]** with a fine toothed (32 TPI) hack saw.

If needed, use a metal file to smooth rough edges. Clean up metal shavings.

DO NOT stand on or use a vice to hold the **Support Bar[02]** and the **Bottom Rail [03]** while cutting.

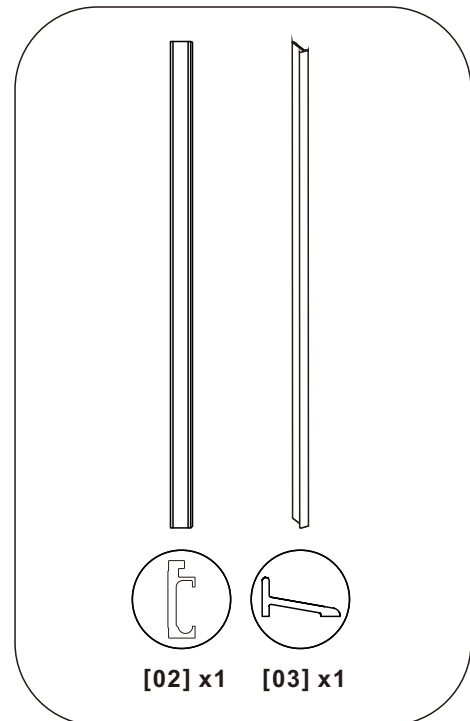
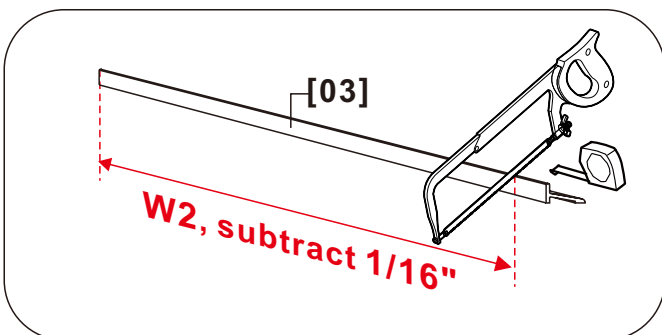
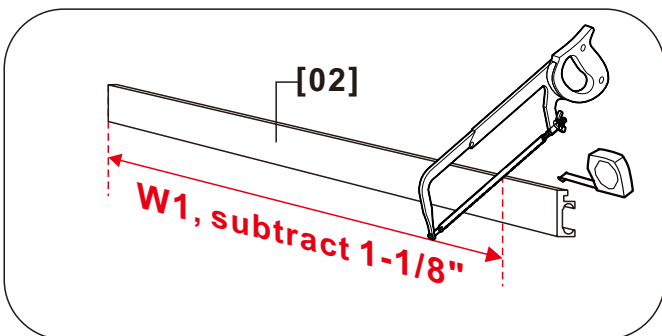
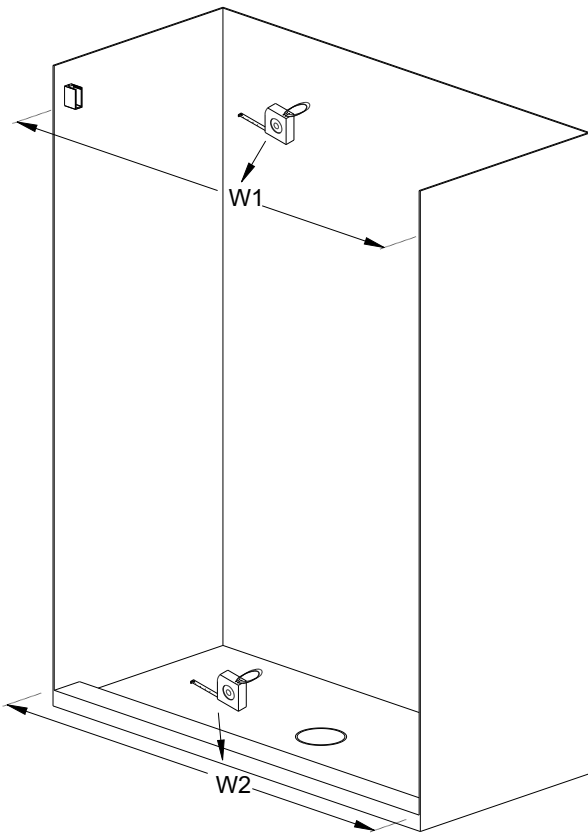


Fig4

Step 3

1. Hold the **Wall Bracket Assembly [13A]** in the designated position (left side) and mark the holes for drilling (Fig 5.1). Drill a 1/4" hole at each location and insert the **Wall Plugs [14]** (Fig 5.2, Fig 5.3). Attach the **Wall Bracket Assembly [13A]** using the **FH Screw ST4x35 [15]** (Fig 5.4).

2. Insert the **Support Bar [02]** into the installed **Wall Bracket Assembly [13A]**. Temporarily attach the remaining **Wall Bracket Assembly [13B]** to the opposite end of the **Support Bar [02]**. Place a level on top of the **Support Bar [02]**. Align the **Wall Bracket Assembly [13B]** with the opposite vertical line from **Step 1** and mark the bracket's position on the wall (Fig 5.5).

3. Remove the **Support Bar [02]**, and position the **Wall Bracket Assembly [13B]** onto the wall and mark the holes for drilling. Drill a 1/4" hole at each location and insert the **Wall Plugs [14]** (Fig 5.6, Fig 5.7). Attach the **Wall Bracket Assembly [13B]** using the **FH Screw ST4x35 [15]** (Fig 5.8).

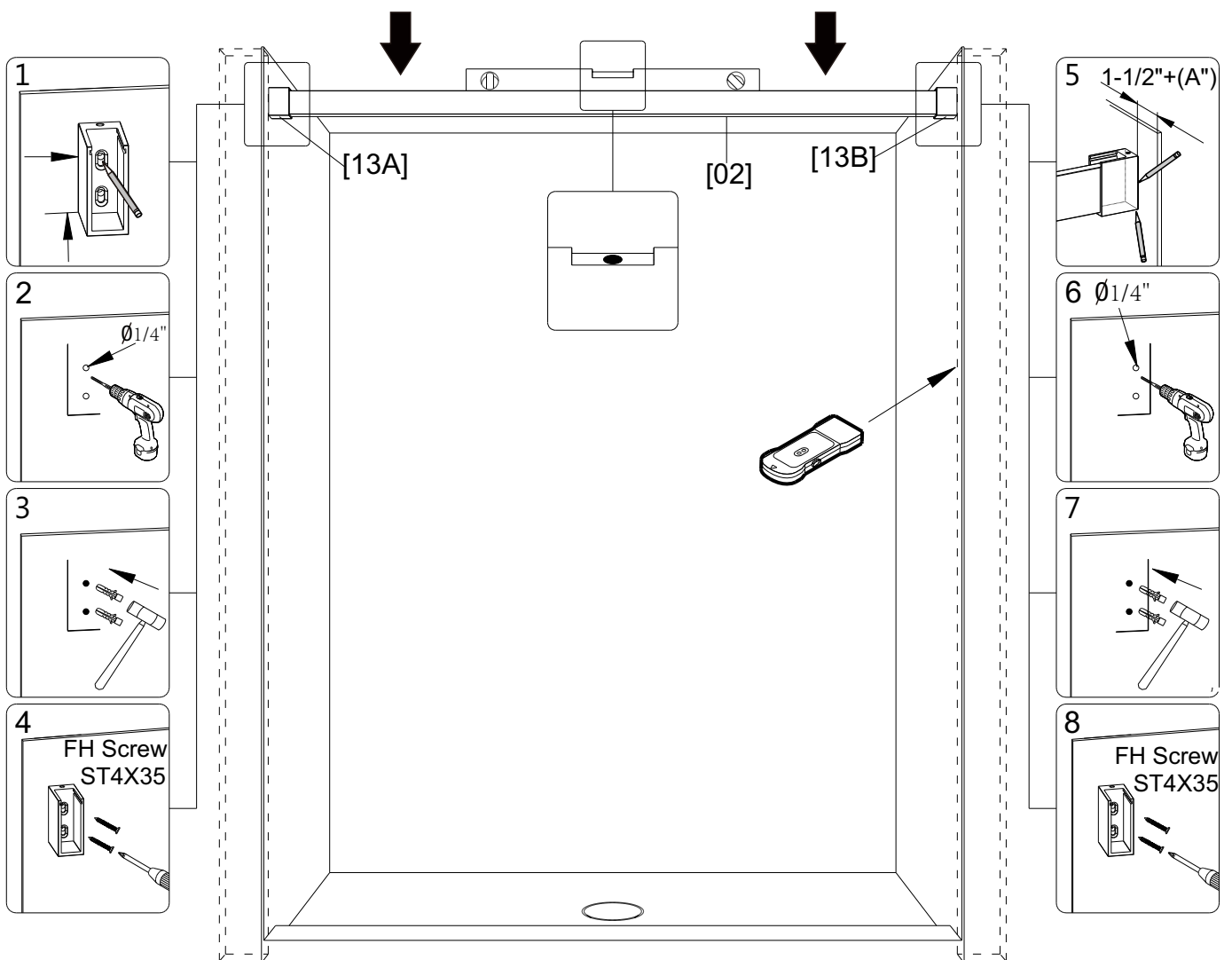
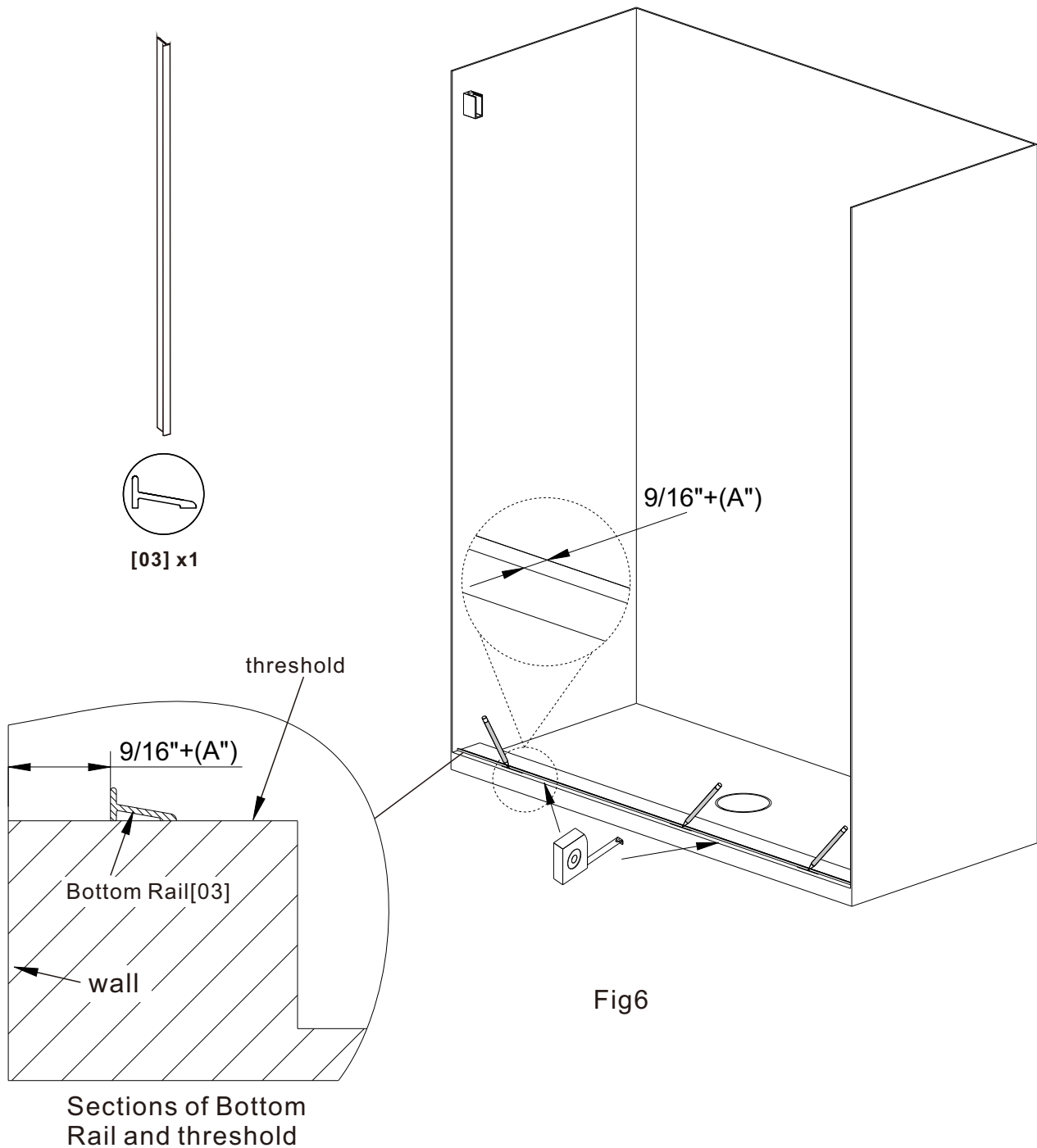


Fig5

Step 4

1. Set the **Bottom Rail [03]** onto the threshold parallel with the outside edge.
2. Measure in $9/16"$ (14mm) min from the outside of the **Wall** to the **Bottom Rail [03]** and mark the position on the threshold (Fig 5). Or measure in $9/16" + (A)"$ if you want to install the shower door behind the outside of the wall. The measurement "A" must be the same in **Step 1**.



Step 5

1. Tear off the tape from the **Bottom Rail [03]** (Fig 7). Place the **Bottom Rail [03]** onto the **marked position** on the threshold (Fig 8).

2. Measure across the width of the threshold to locate and mark the center (Fig 9).

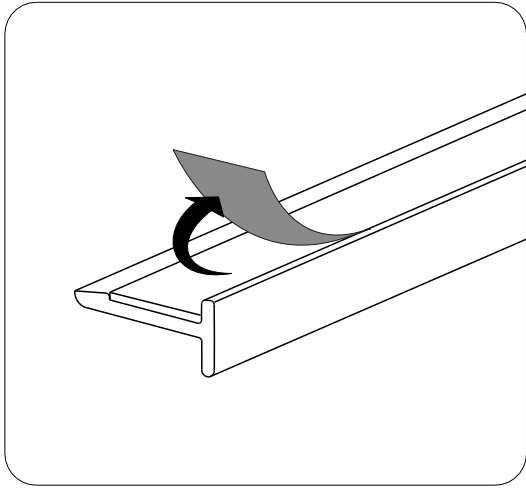


Fig7

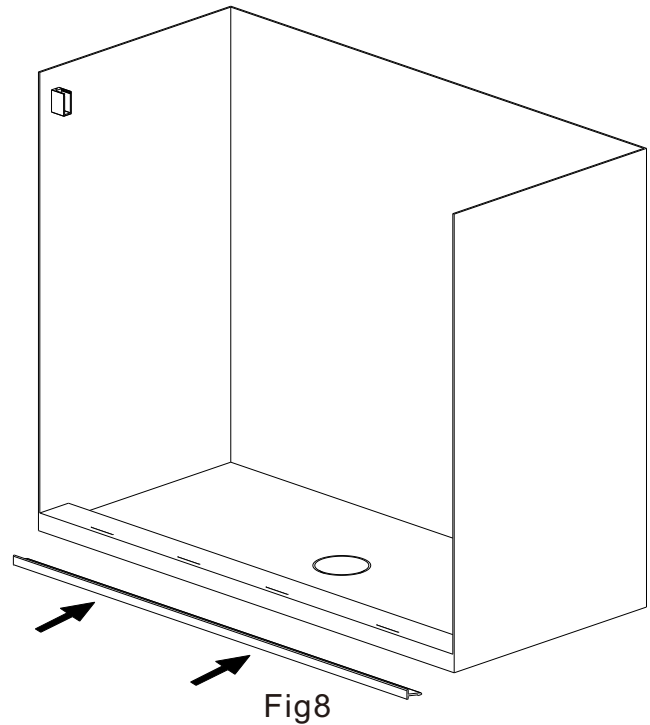


Fig8

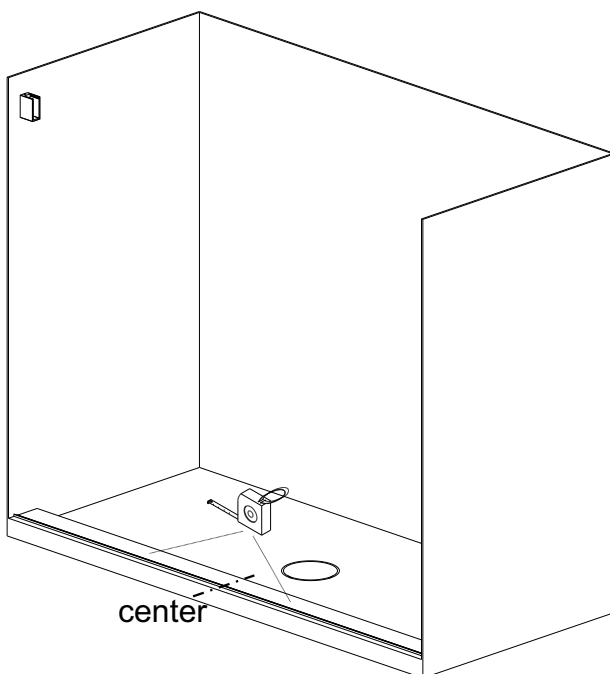


Fig9

Step 6

1. Place the **Bottom Guide**[17] onto the center of the **Bottom Rail** [03] and mark the hole for drilling (Fig 10.1 and Fig 10.2). Drill a 1/8" hole at each marked location if drilling into acrylic or wood material (Fig 10.3). Drill a 1/4" hole at each marked location if drilling into tile material and insert the **Wall Plugs**[14] (Fig 10.4).

2. Fix the **Bottom Guide**[17] with screws **ST3.5X25**[19] (Fig 10.5). Install **Bottom Guide Cap**[18] to finish the Bottom Guide's installation (Fig 10.6).

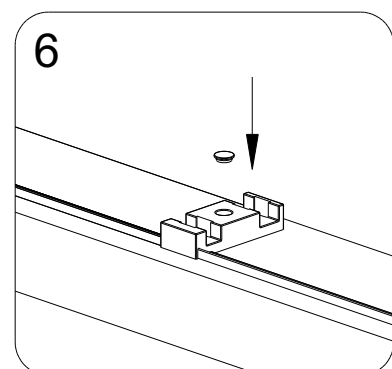
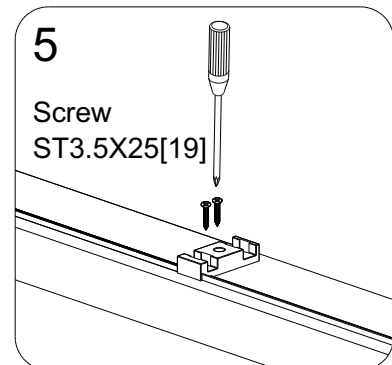
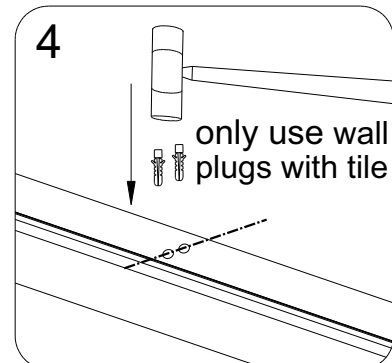
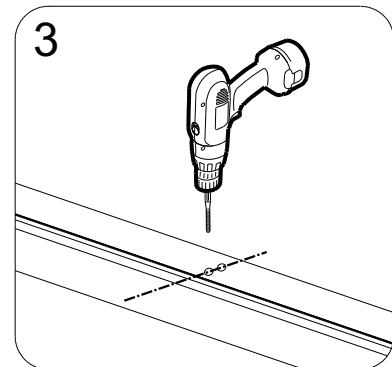
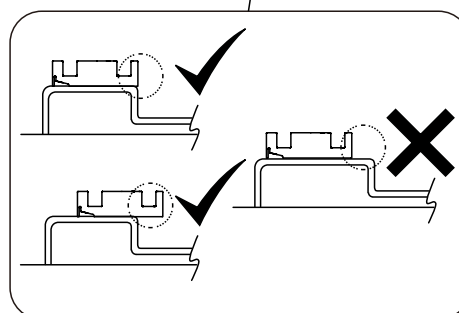
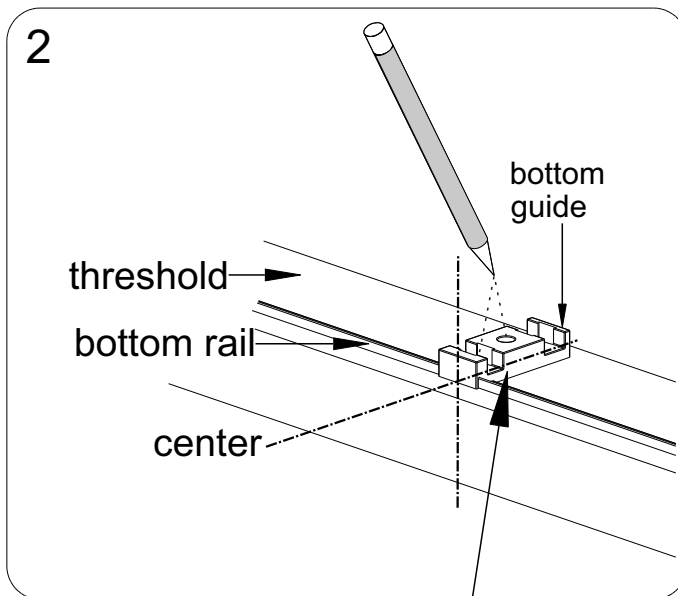
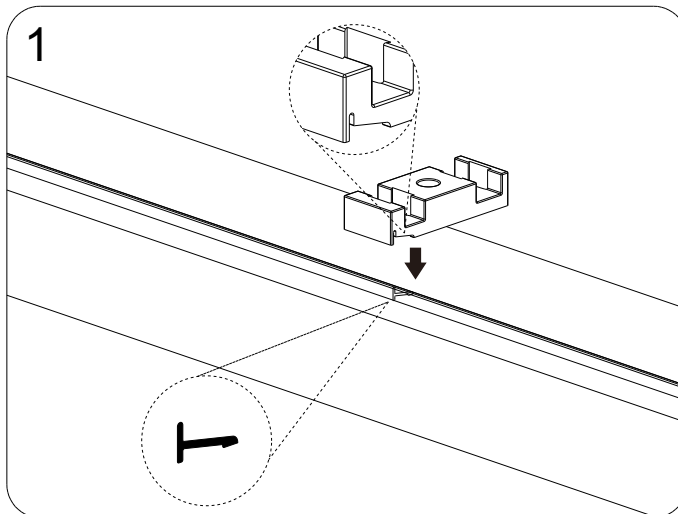


Fig10

Step 7

1. Apply silicone to the **Seal [16]** and attach to the end of **Bottom Rail [03]** (Fig 11.1 and Fig 11.2).

2. Measure the length between the left side wall surface and the **Bottom Guide [17]** and the right side wall surface.

3. Cut the Threshold Gasket according to the length by a Tin snips. Cut the part of the **Threshold Gasket [06]** which interfering with the **Seal [16]** (Fig 11.3). The cut length would be the same as **Seal [16]** (Fig 11.4).

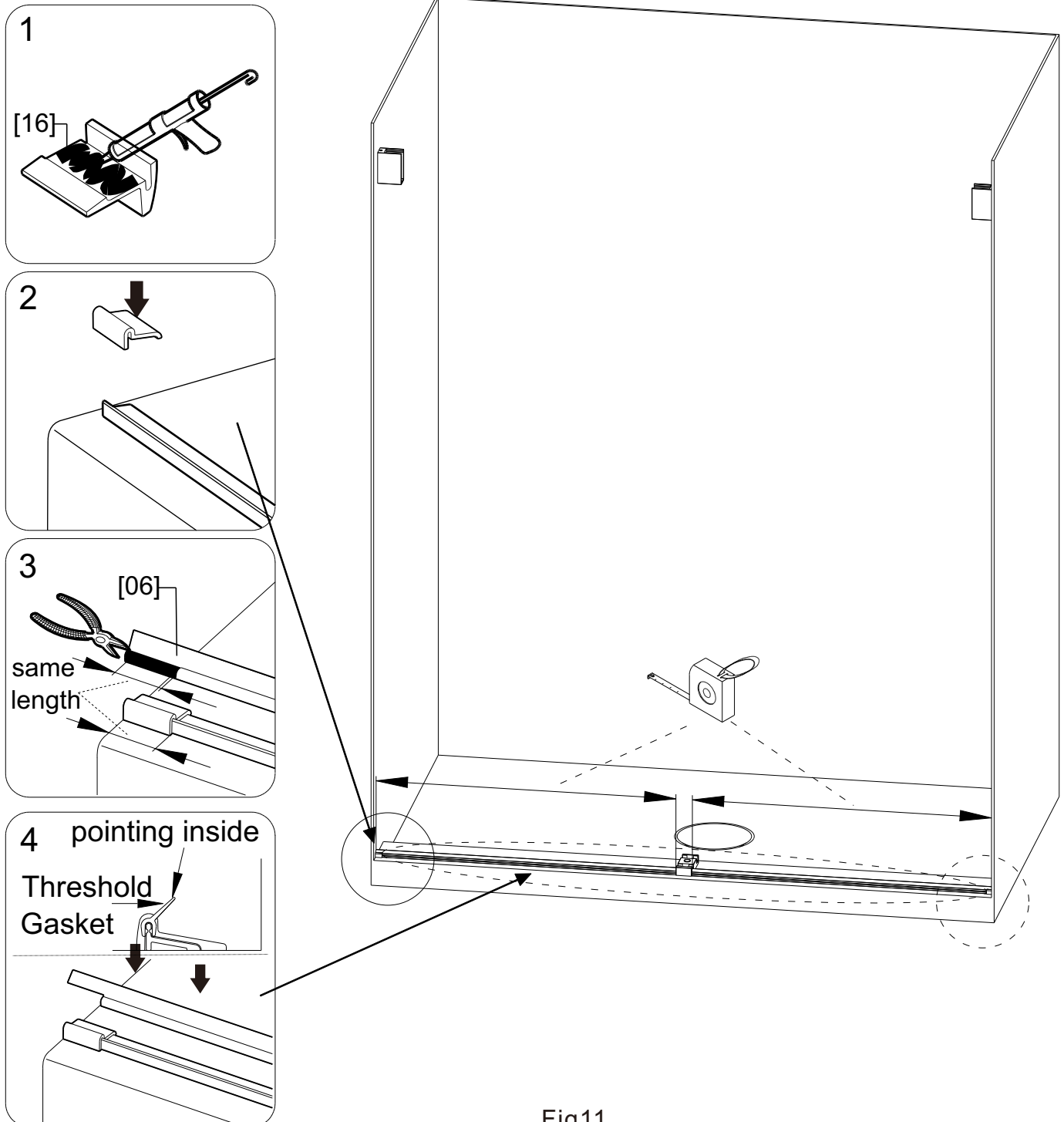
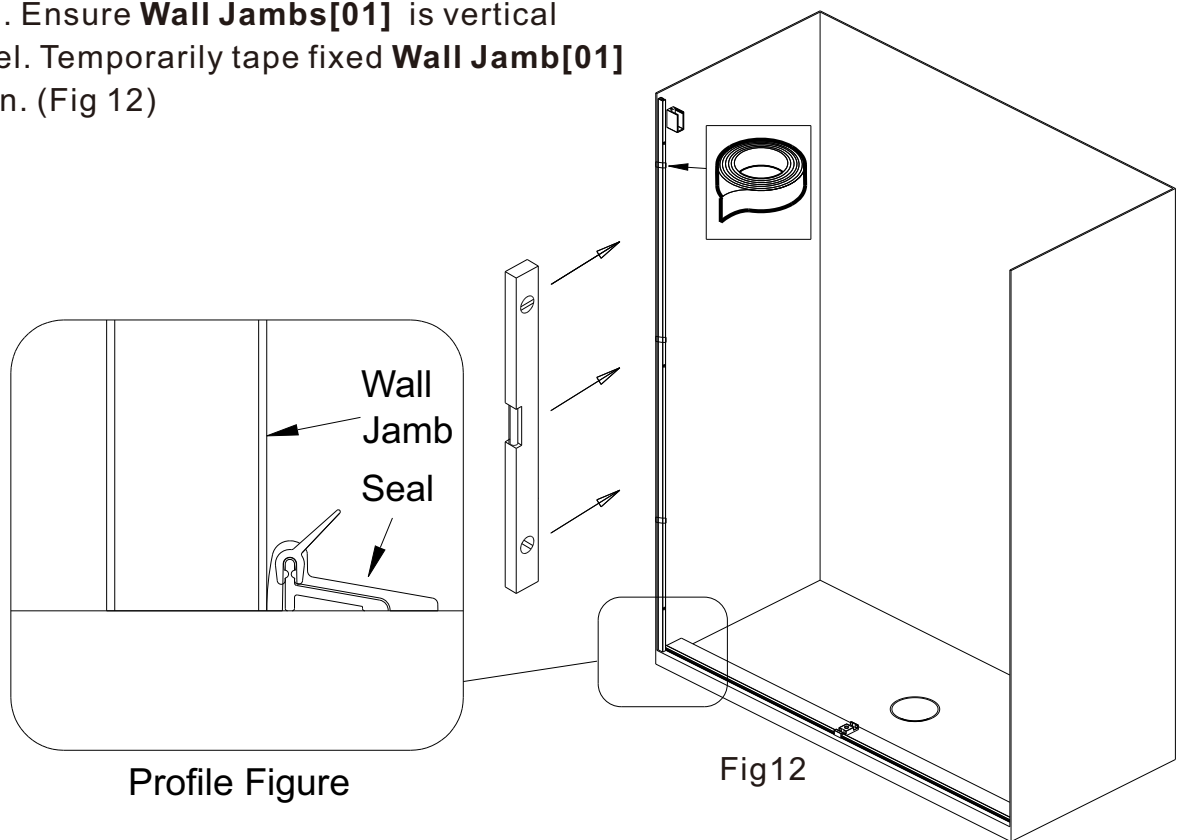


Fig11

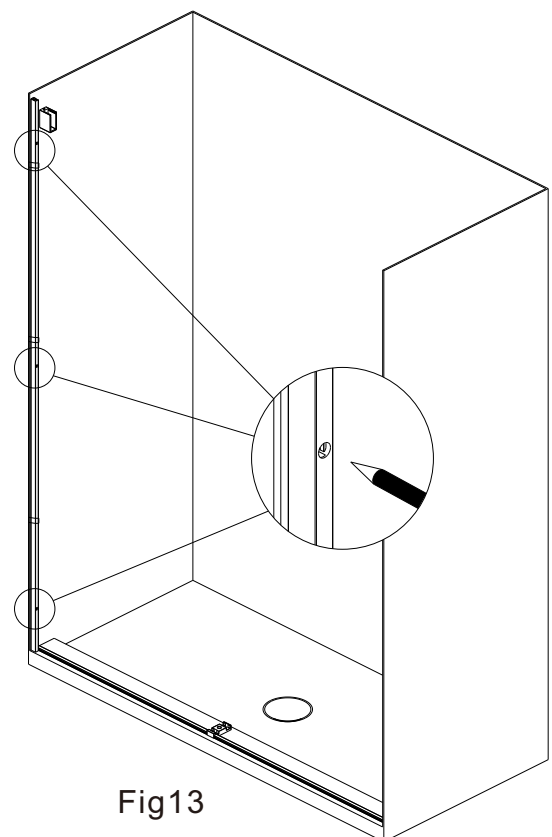
Step 8

Place **Wall Jamb** [01] into position by closing to **Seal**[16]. Ensure **Wall Jamb**[01] is vertical using a level. Temporarily tape fixed **Wall Jamb**[01] into position. (Fig 12)



Step 9

Using a pencil, mark location of all three screw holes for **Wall Jamb**[01]. (Fig 13)



Step 10

Remove **Wall Jambs[01]** and drill a 1/4" hole at each location marked for **Wall Jamb[01]** (Fig 14).



ATTENTION

Wear safety glasses and cut-resistant, non-slip gloves when drilling or cutting to avoid risk of injury.

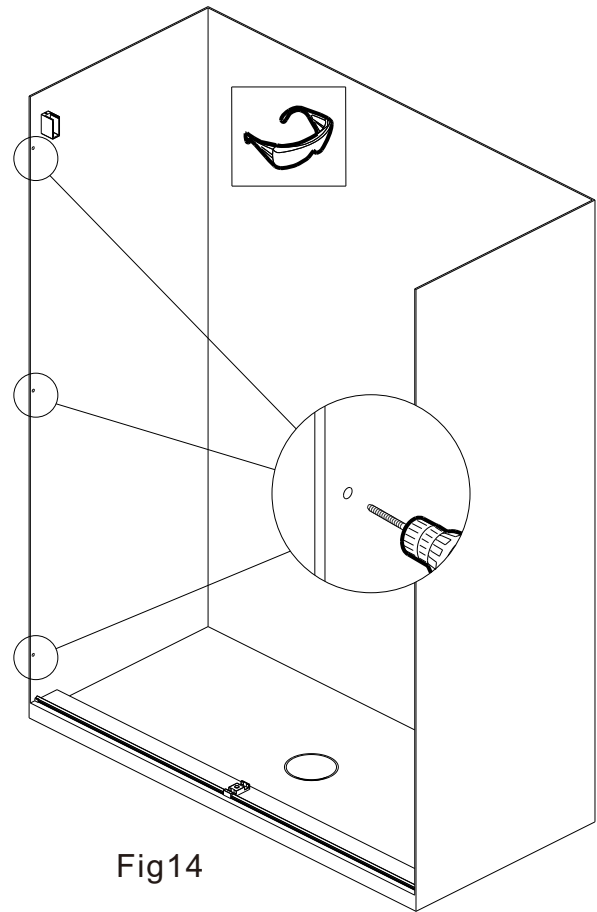


Fig14

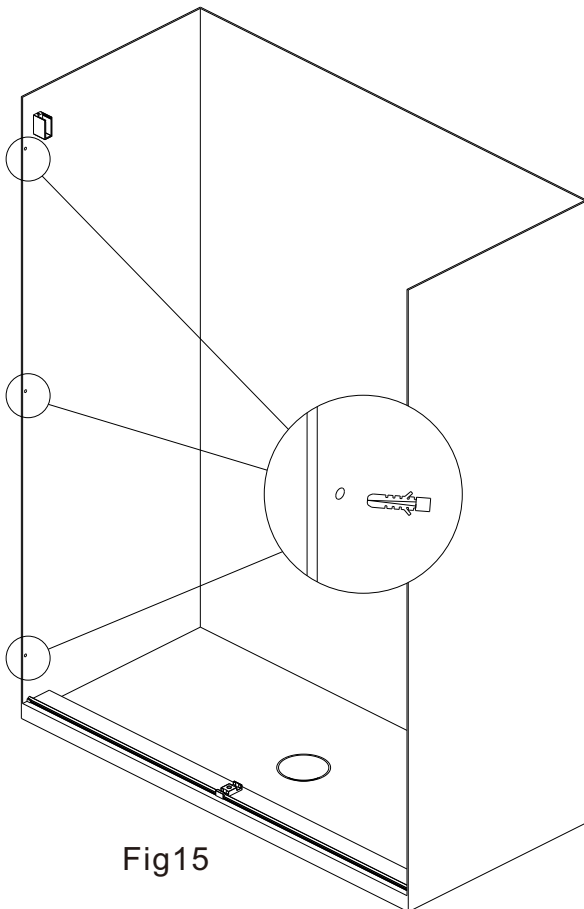


Fig15

Step 11

1. Insert **Wall Plugs[14]** in each hole location.
2. The **Wall Plugs[14]** should fit securely into the holes. If needed, a rubber mallet can be used to insert Wall Plugs.
3. To reduce risk of property damage, the use of metal hammers is not recommended. If needed, use drill to slightly enlarge the opening of the hole.

IMPORTANT: Wall Plugs[14] MUST be used.

Step 12

1. Install **Gaskets**[04] to **Wall Jambs**[01] (Fig 16.1). Reposition **Wall Jamb**[01]. Use drill to start the **ST4X35 screws**[20] into the **Wall Plugs**[14].

2. Next, use a screwdriver to hand tighten until secure (Fig 16.2). Install the **Caps**[21] to finished the installation (Fig 16.3).

3. If the **Gaskets**[04] is longer than the **Wall Jambs**[01] after installation. Cut the longer part (Fig 16.4).

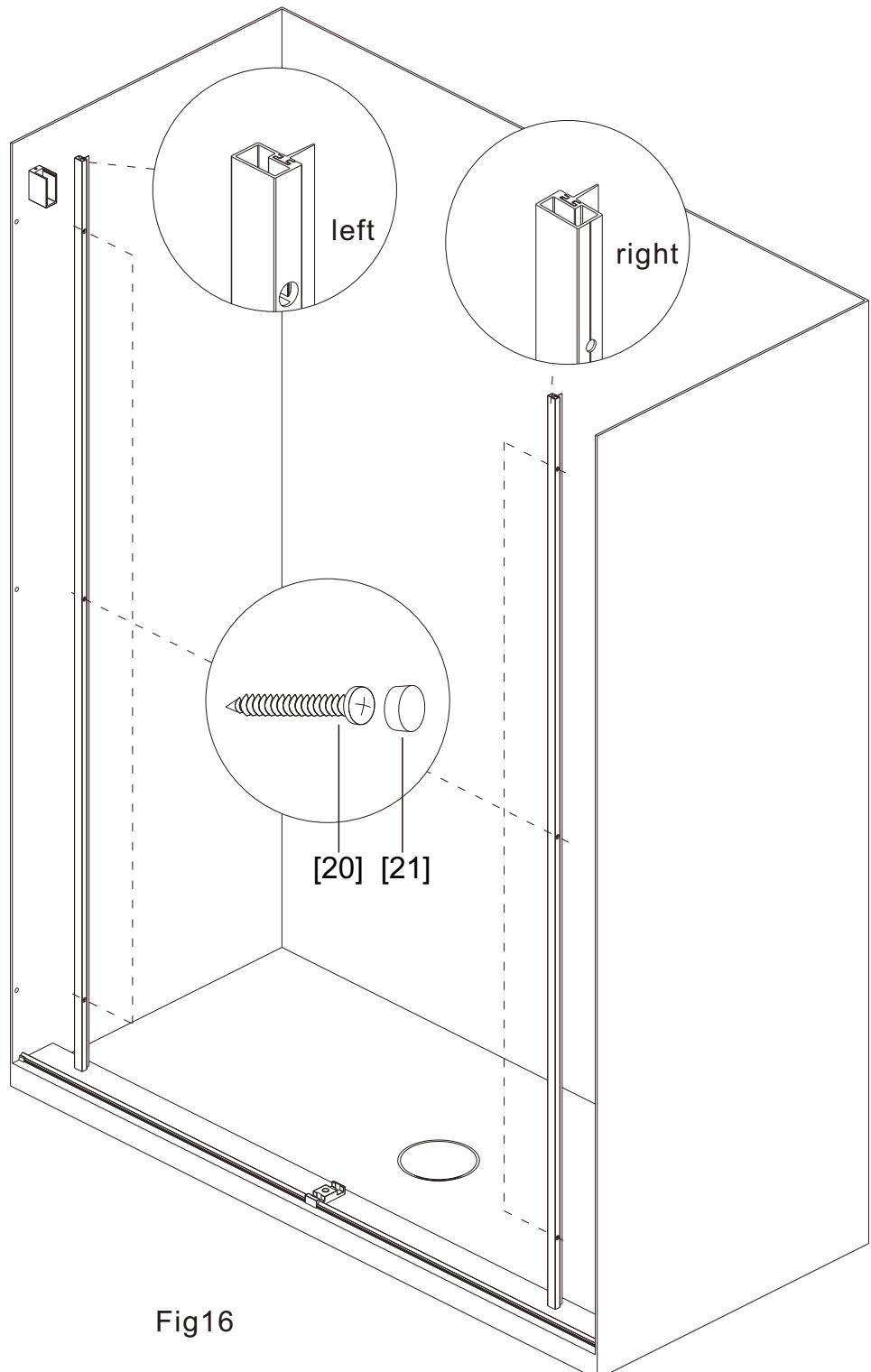
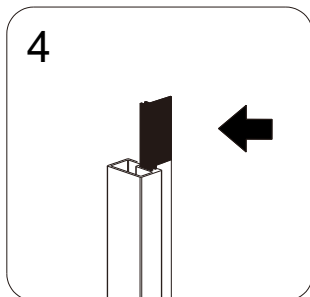
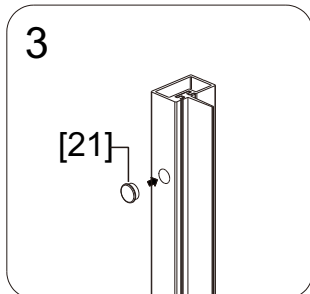
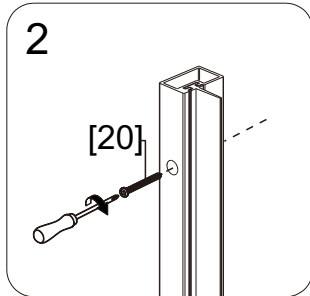
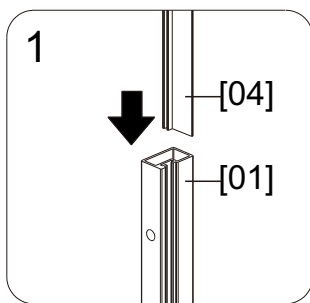


Fig16

Step 13

1. Install **Support Bar [02]** to **Wall Bracket Assembly**. The groove of the **Support Bar [02]** faces inward. Place a level to make sure the horizontal of the **Support Bar [02]**.

2. If the **Support Bar [02]** isn't horizontal, remove the **Support Bar [02]** again. Find the higher **Wall Bracket Assembly** and loose the fixed screws for one turn. (Fig 17.1)

3. Turn the hex screw counter-clockwise for one turn each time. Replace the **Support Bar [02]** and level to check the horizontal. (Fig 17.2)

4. Tighten the screws which were loosen at step 13.2 again if the horizontal is confirmed.

5. Reinstall the cap of **Wall Bracket Assembly** and fixed with the **Allen Key [22]** (Fig 17.1 and Fig 17.2).

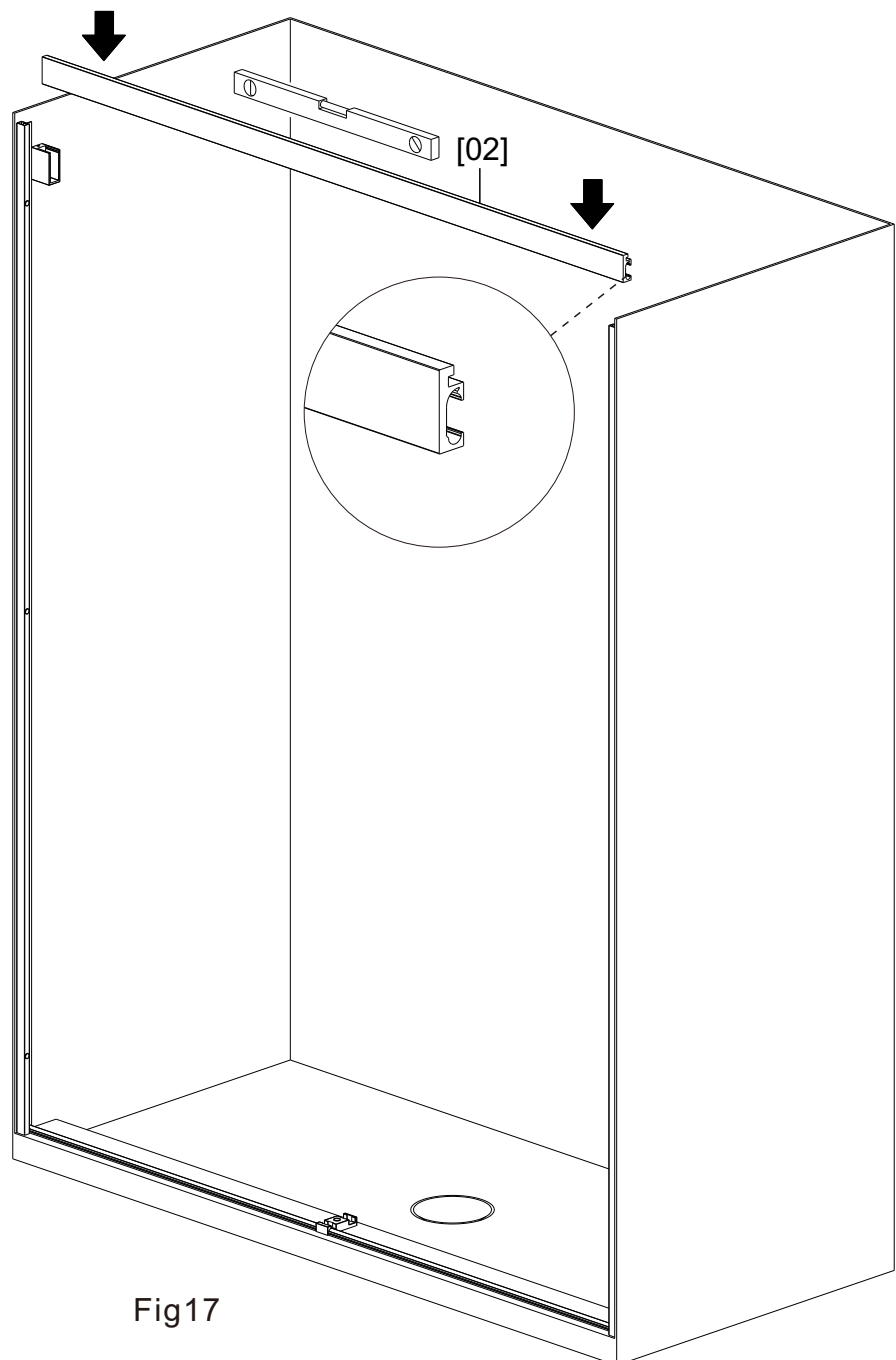
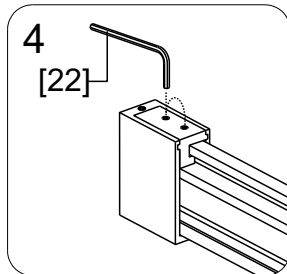
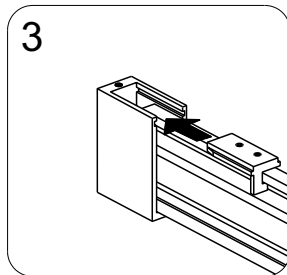
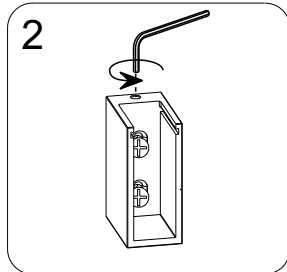
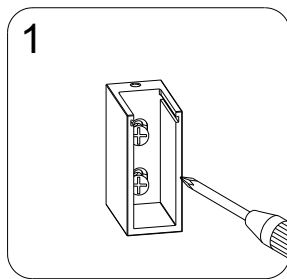


Fig17

Step 14

1. Install **Inner Wheels**[11A] to the **Door Panel**[08B]. The washer should be on the metal part side(Fig 18.1). Adjust the Eccentric nut like the picture below(Fig 18.1a).
2. Use two **wrenches**[12] in the package to tighten the Inner **Wheels**[11A] (Fig 18.2).
3. Install the **Sealing Strip** [07] to the 4. Beware of the direction (Fig 18.3).

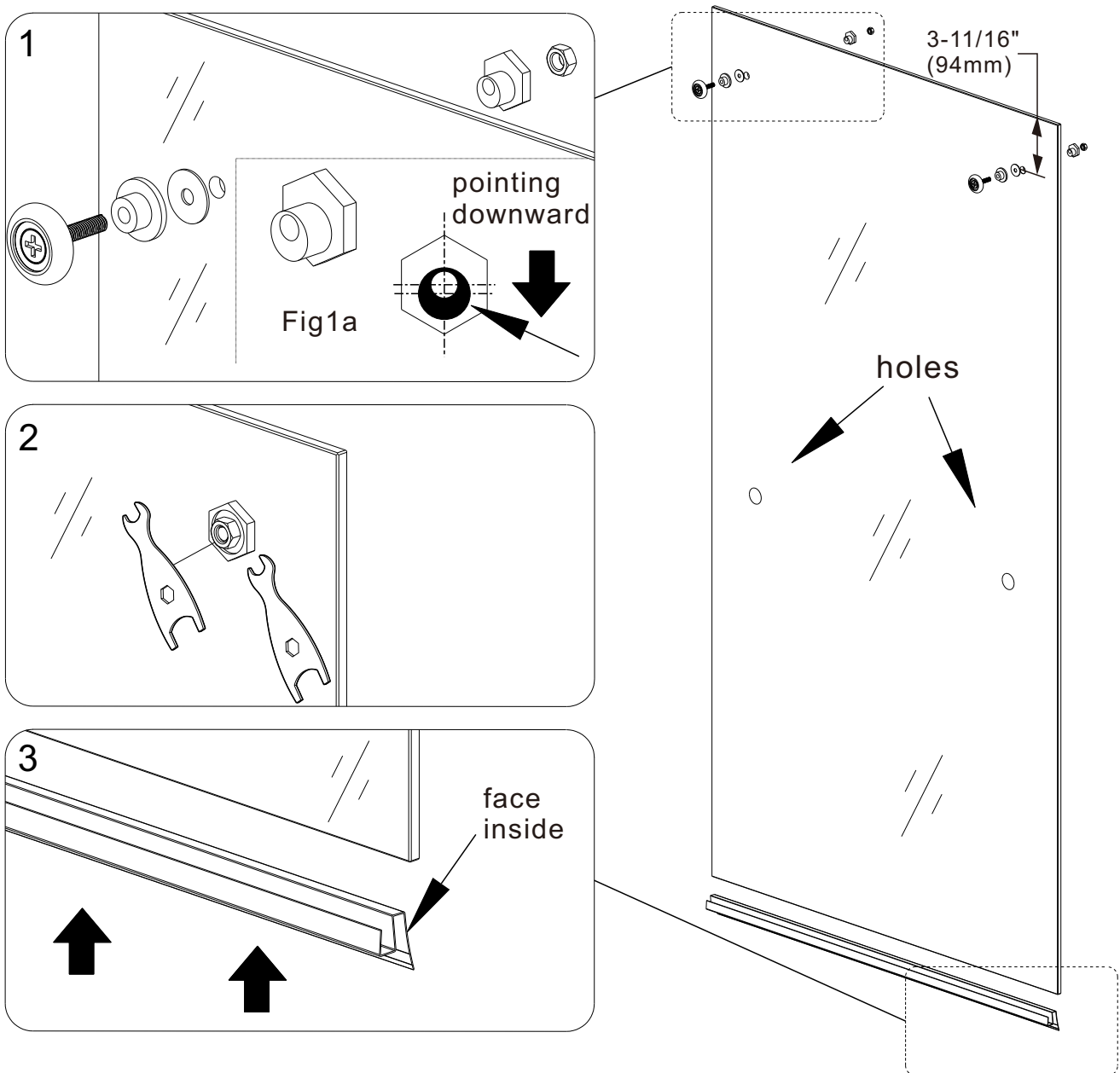


Fig18

Step 15

1. Disassemble the hex screw and the anchor(Fig 19.1).
2. Install **Outer Wheels [10A]** to the **Door Panel[08A]**. The washer should be on the metal part side(Fig 19.2). Adjust the Eccentric nut like the picture below(Fig 19.2a).
3. Use a wrench in the package and extra one to fix the **Outer Wheels [10A]**(Fig 19.3).

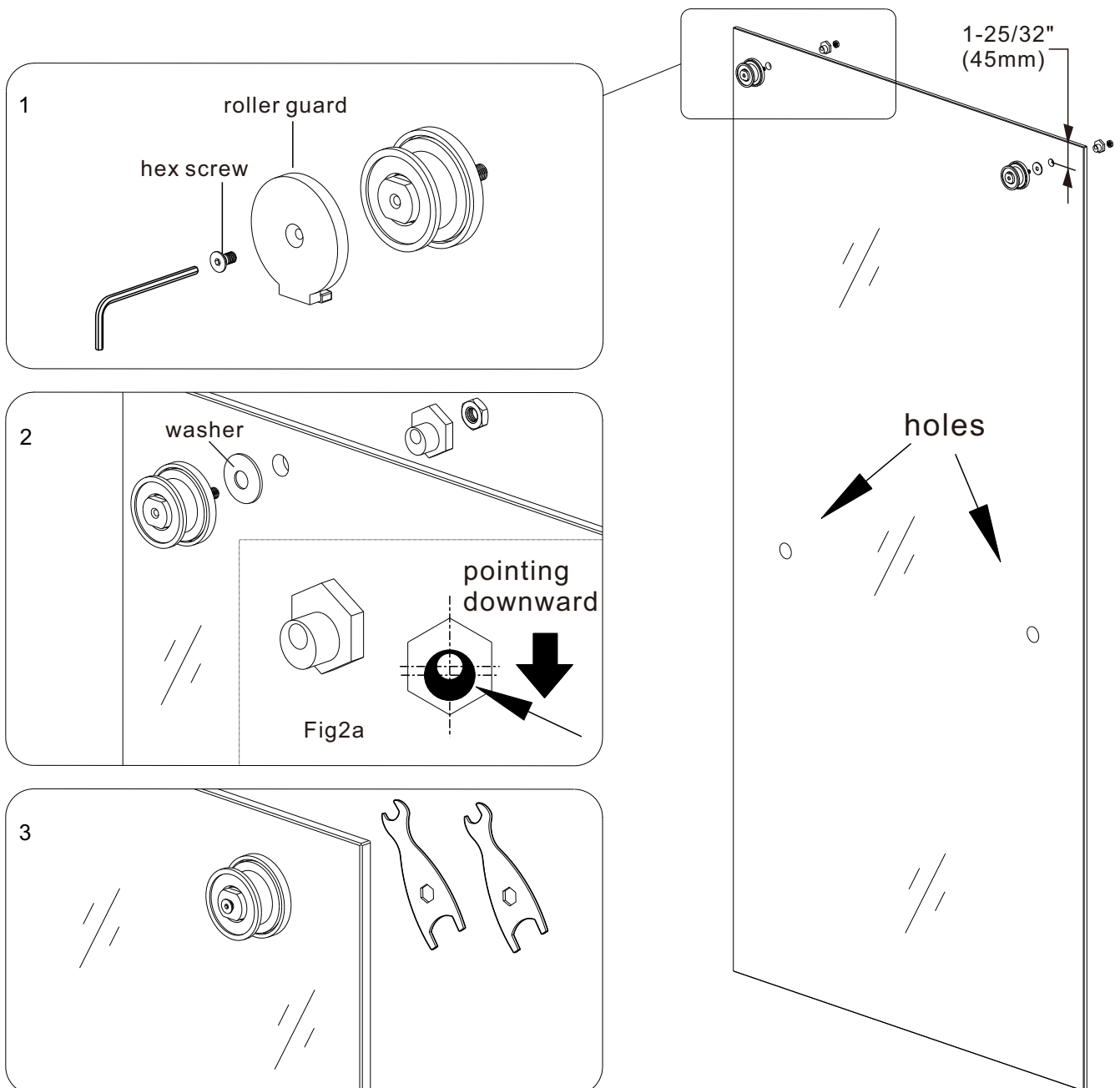


Fig19

Step 16

1. From inside the shower, hang the inside **Door Panel [08B]** first. Insert left wheel into the notch in the **Support Bar[02]**. Slide the door to the right and insert the other roller wheel into the second notch while inserting the Glass into the **Bottom Guide[17]** (Fig 20).
2. Next, from outside the shower, install the Outside **Door Panel [08A]** into the track on top of the **Support Bar[02]** and into the **Bottom Guide[17]** (Fig 21).
3. Attach the roller guards to the **Outer Wheels [10A]** to prevent the door glass from being lifted off of the **Support Bar[02]**. Make sure the rod of the roller guard inserts to the groove of the **Support Bar[02]** (Fig 21).

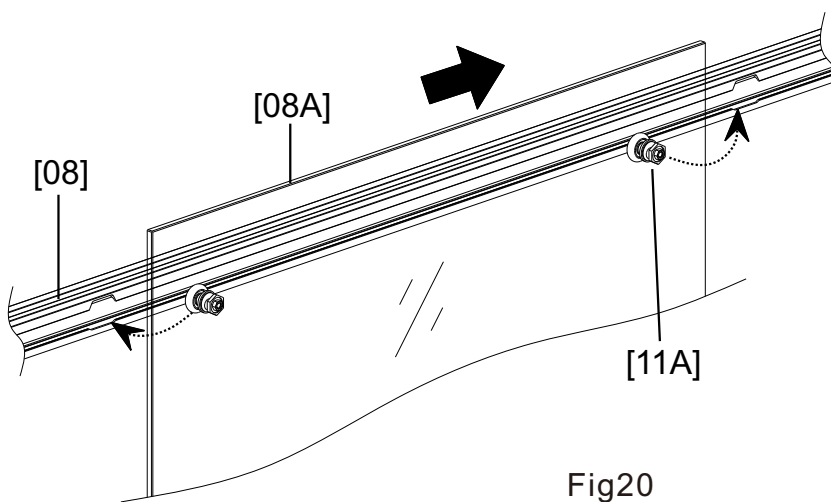


Fig20

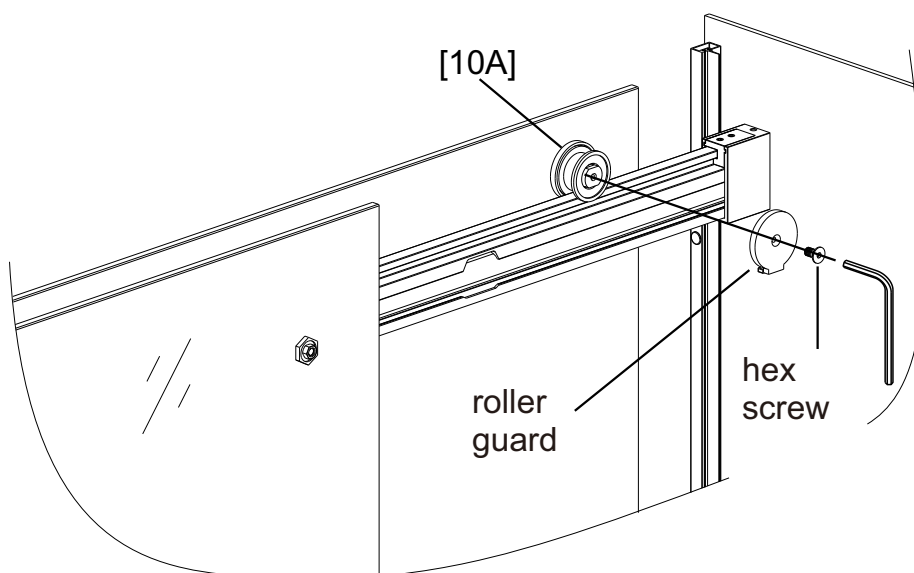
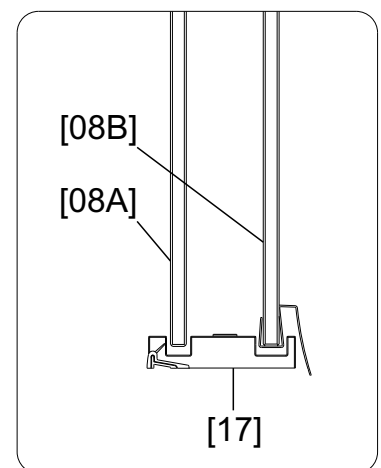
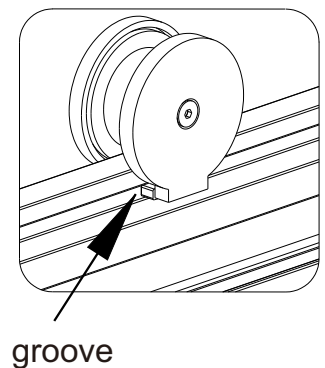


Fig21



Step 17

1. Install the **Side Gaskets [05]** to the **Door Panels [08]**(Fig 22.1).

2. If needed, the door height at each wheel can be individually adjusted by using the **wrenches[12]** .

a. For the **Outer Wheels[10]**, using **wrenches[12]** in the package to carefully loose the nut for half turn. Rotate plastic nut as shown in Fig 22.2. This will raise or lower the **Door Panel [08A]** at this location so that the door panel can match the wall better. Fasten the nut again after the adjustment.

b. For the **Inner Wheels[11]**, using the one **wrenche[12]** to hold the nut and using the other **wrenche[12]** to rotate plastic nut as shown in Fig 22.3. This will raise or lower the **Door Panel [08B]** at this location so that the door can match the wall better. If the nuts loose too much and can't be tighten again after the adjustment. It will be needed to remove the **Door Panel [08B]** from the **Support Bar[02]** and fasten the nut by following the Step 14.2

4. Install the **Outer Wheels Cover[10B]** and **Inner Wheels Cover[11B]** (Fig 22.4 & Fig 22.5).

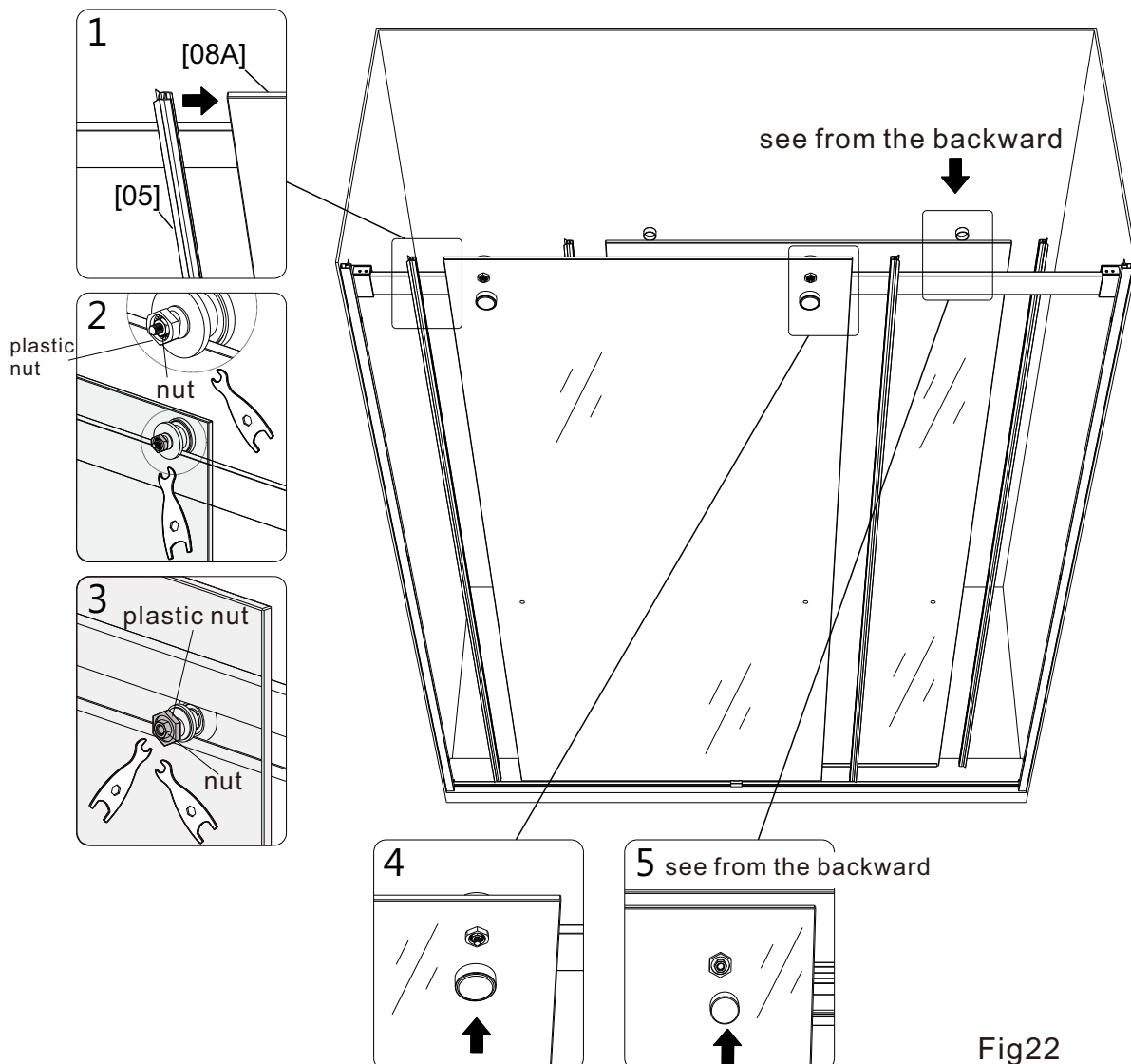


Fig22

Step 18

1. Disassemble gaskets by removing handle levers and handle knobs(Fig 23.1).

2. **Door Panel[08A]** installation: Install handles and two washers on the outer side of **Door Panel[08A]**. Install gaskets and handle lever and handle knob on inner side of **Door Panel[08A]**. Turn inner handle lever and handle knob to secure. (Fig 23.2)

3. **Door Panel[08B]** installation: Install handles and two washers on the inner side of **Door Panel[08B]**. Install gaskets and handle lever and handle knob on outer side of **Door Panel[08B]**. Turn inner handle lever and handle knob to secure. (Fig 23.2)

IMPORTANT: Ensure handle gaskets and washers are placed on each side of glass.

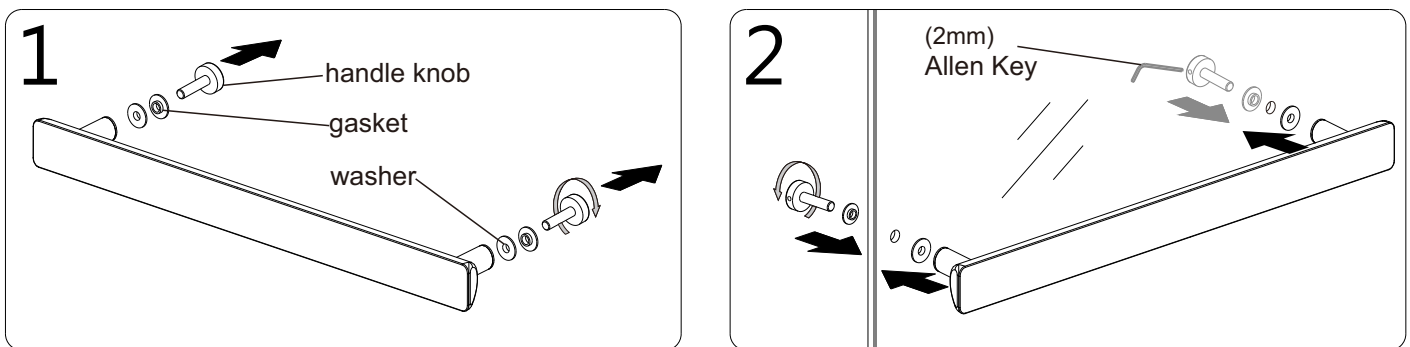


Fig23

Step 19

1. Apply a good quality Silicone Sealant on the walls and threshold along the bottom profile and wall profiles(Fig 24).



Allow 24 hours for the silicone to fully cure before using the shpwer.

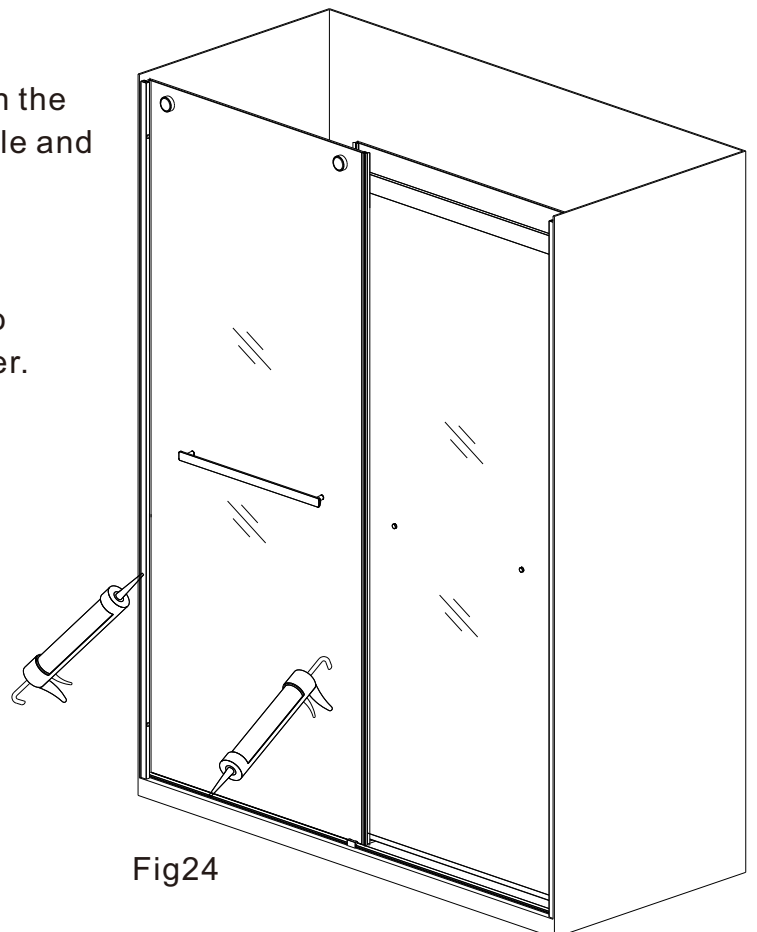


Fig24

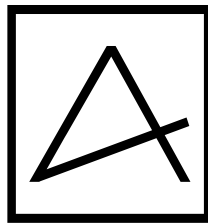
Care & Maintenance

BASES and BACKWALLS: To ensure long lasting life for your acrylic back walls (if installed): wipe them off after each use with a soft cloth. To clean the acrylic back walls use non-abrasive sprays or cream based cleaners. Avoid the use of aerosol spray cleaners. Never use abrasive cleansers, metal brushes or scrapers that could scratch or dull the surface.

GLASS: To ensure long lasting life for your glass shower products: wipe them off after each use with a soft cloth. Rinse and wipe off the glass using either a soft cloth or a squeegee to prevent soap buildup and water spots (Hard water can etch the surface of the glass over time if left to dry). To prevent scratching the surface: never use abrasive cleaners or cleaning products that contain scouring agents. Never use bristle brushes or abrasive sponges that may scratch the surface.

HARDWARE: To ensure a long lasting finish: wipe off the metal parts after each use with a soft cloth. Do not use abrasive cleaners or cleaning products containing ammonia, bleach or acid. If accidentally used, rinse the surface as soon as possible to prevent damage to the finish (peeling or corrosion). After cleaning the polished finishes, rinse thoroughly and wipe dry with soft cloth. Clean stainless steel surfaces at least once a week. When applying stainless steel cleaner or polish to stainless steel hardware, work with (not across) the grain. Never use an abrasive sponge or cloth, steel wool or wired brush as these may permanently scratch the surfaces.

NOTE: To maximize the life of your door, it is important to regularly inspect the glass and all hardware for misalignment, proper attachment, and/or damage. Contact ANZZI with any questions or concerns.



ANZZI®